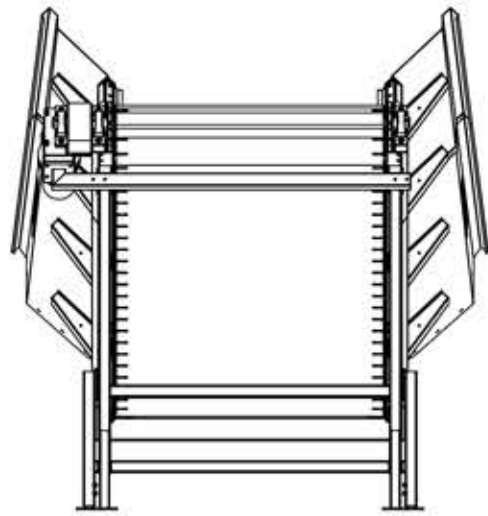
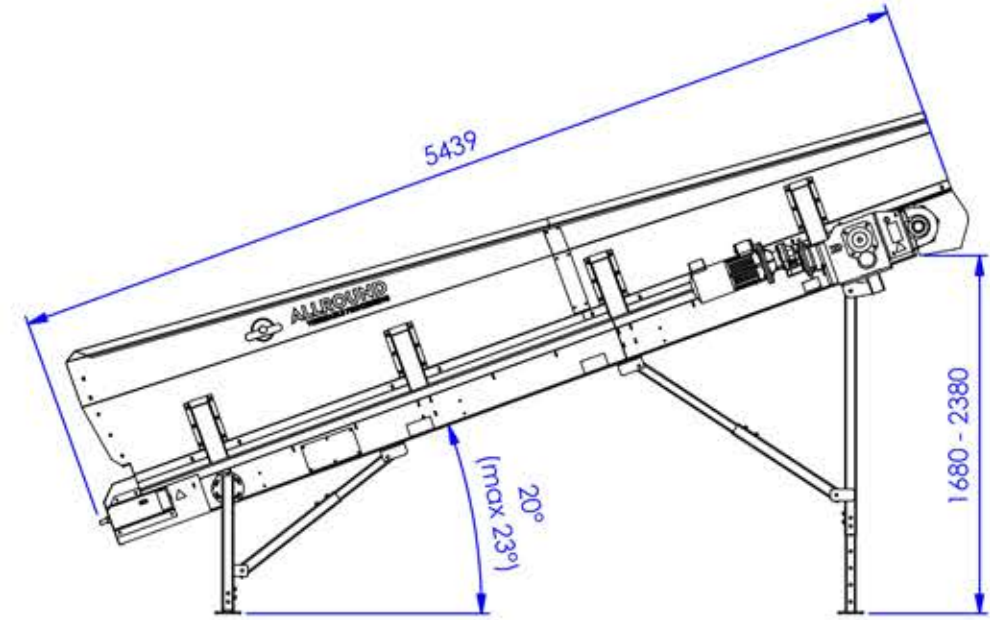
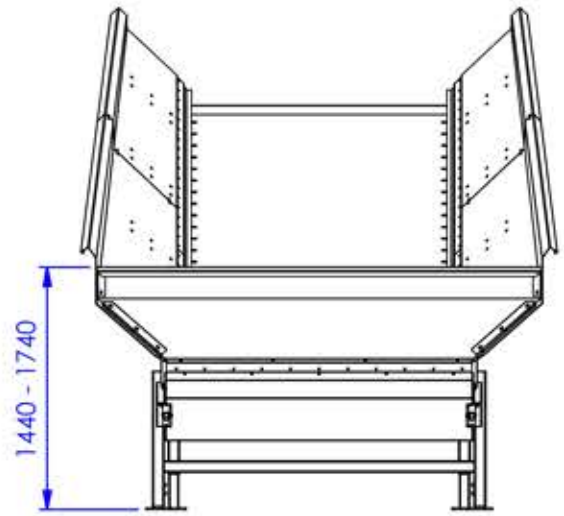
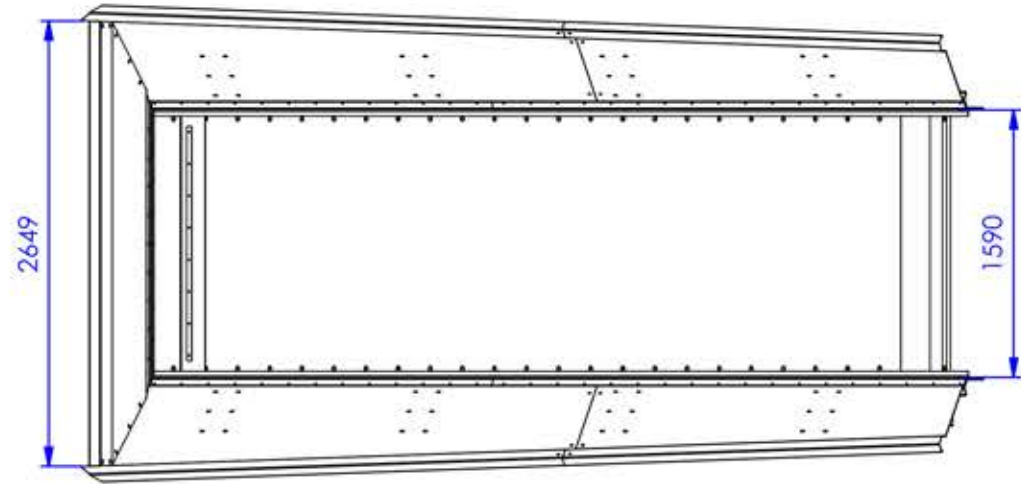



B 160-500



For discussion only!
 The dimensions are approximately.
 We are free to resize and change the machines,
 when we deem it necessary.

Tol principle: ISO 8015	General tolerances: ISO 20768	Fit system: ISO 286	Geometrical tolerancing: ISO 1101	
Project: Hopper		Description: B 160-500		
Surface:		Engineer: S.Laan	Scale: 1 : 45	00004348
Date: 28-6-2019		Sheet size: A3	Unit: mm	
		Revision: 01		Sheet: 1 of 3